

# MVSA-260 series

## SOLENOID VALVE

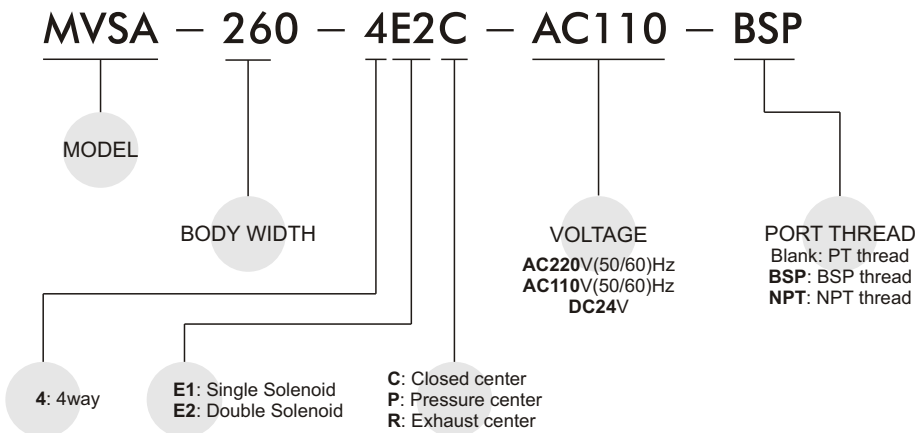


### Specification:

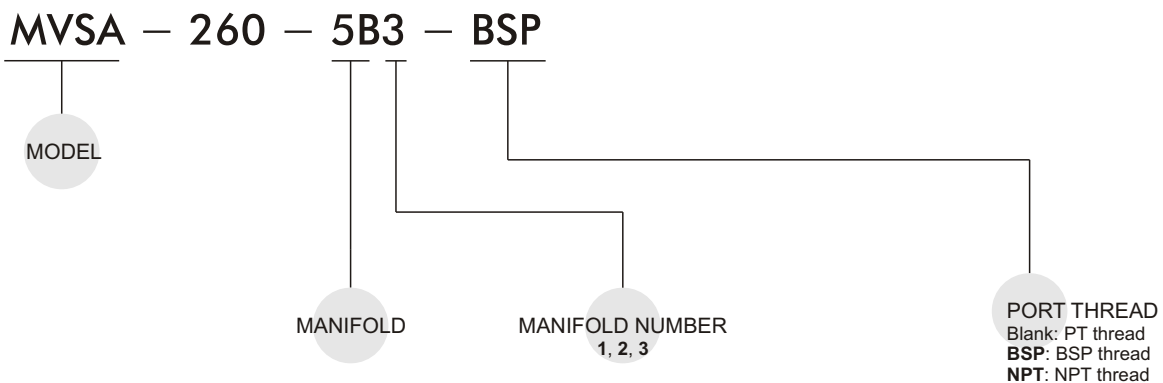
Model	MVSA-260-4E1	MVSA-260-4E2	MVSA-260-4E2C.P.R
Bore No.	8A		
Port size	PT 1/4		
No. of port	5		
No. of position	2	2	3
Medium	Air		
Operating pressure range	2~7 kgf/cm <sup>2</sup>		3~7 kgf/cm <sup>2</sup>
Proof pressure	10 kgf/cm <sup>2</sup>		
Effective orifice	18 mm <sup>2</sup>		16 mm <sup>2</sup>
Response time	40 ms		
Ambient temperature	-5~+50°C (No freezing)		
Voltage	AC110V, 220V (50/60)Hz, DC24V		
Power consumption	AC=3.5VA, DC=3.5W		
Available voltage range	±10%		
Insulation class	B class		
Weight	308 g	475 g	592 g



### Order example of valve:



### Order example of manifold:



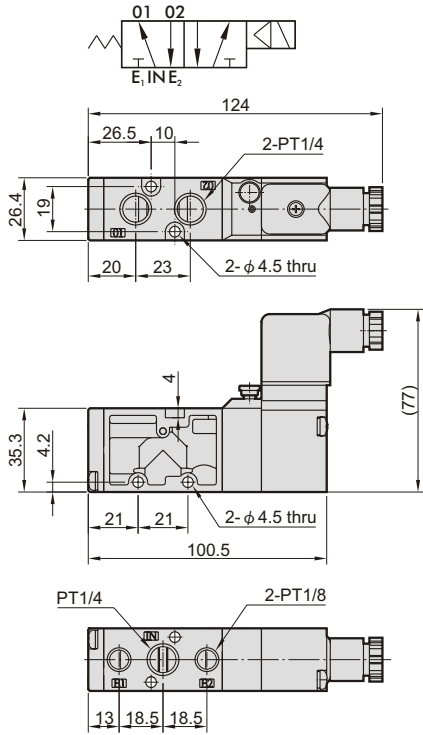
# MVSA-260

SOLENOID VALVE

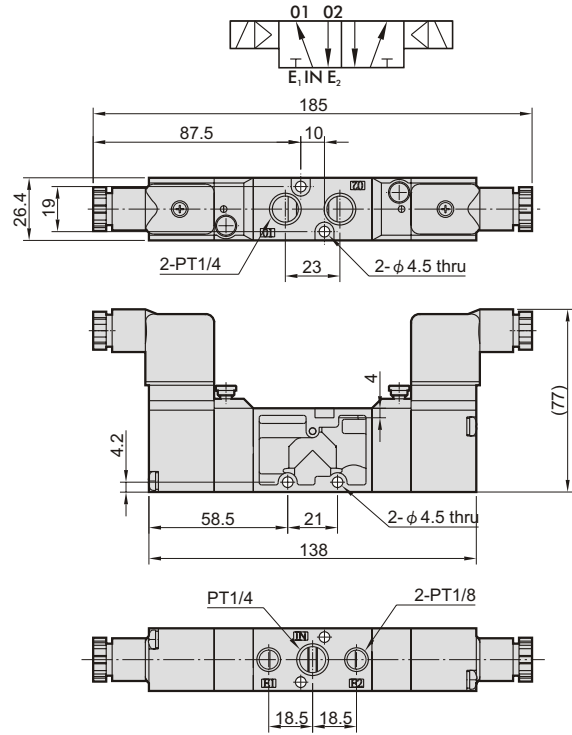


## Dimensions:

### MVSA-260-4E1

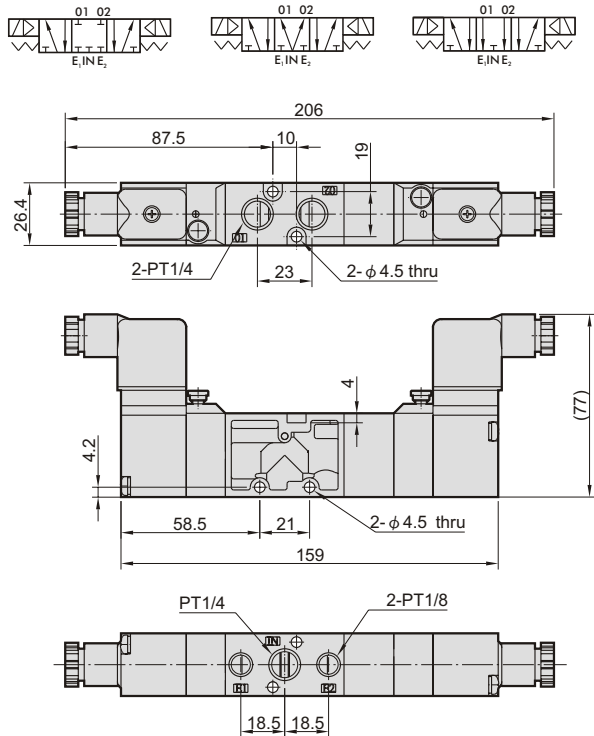


### MVSA-260-4E2

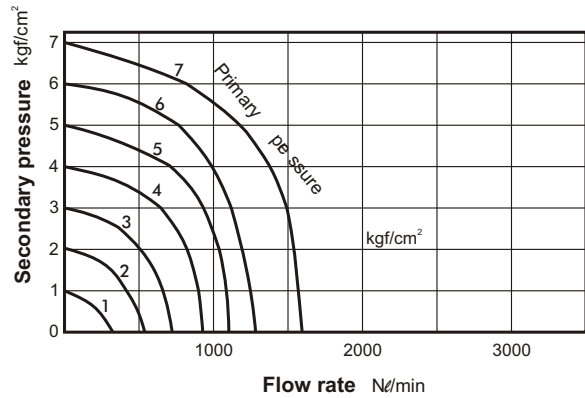


### MVSA-260-4E2C.P.R

MVSA-260-4E2C    MVSA-260-4E2P    MVSA-260-4E2R



## Flow features:



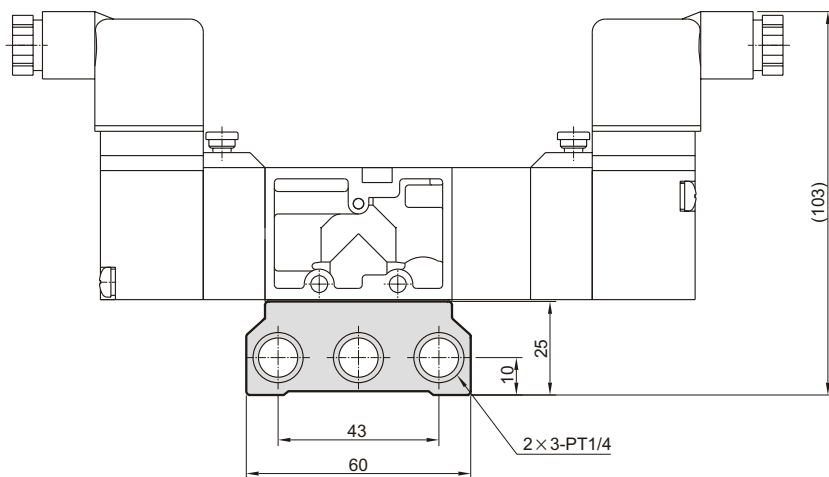
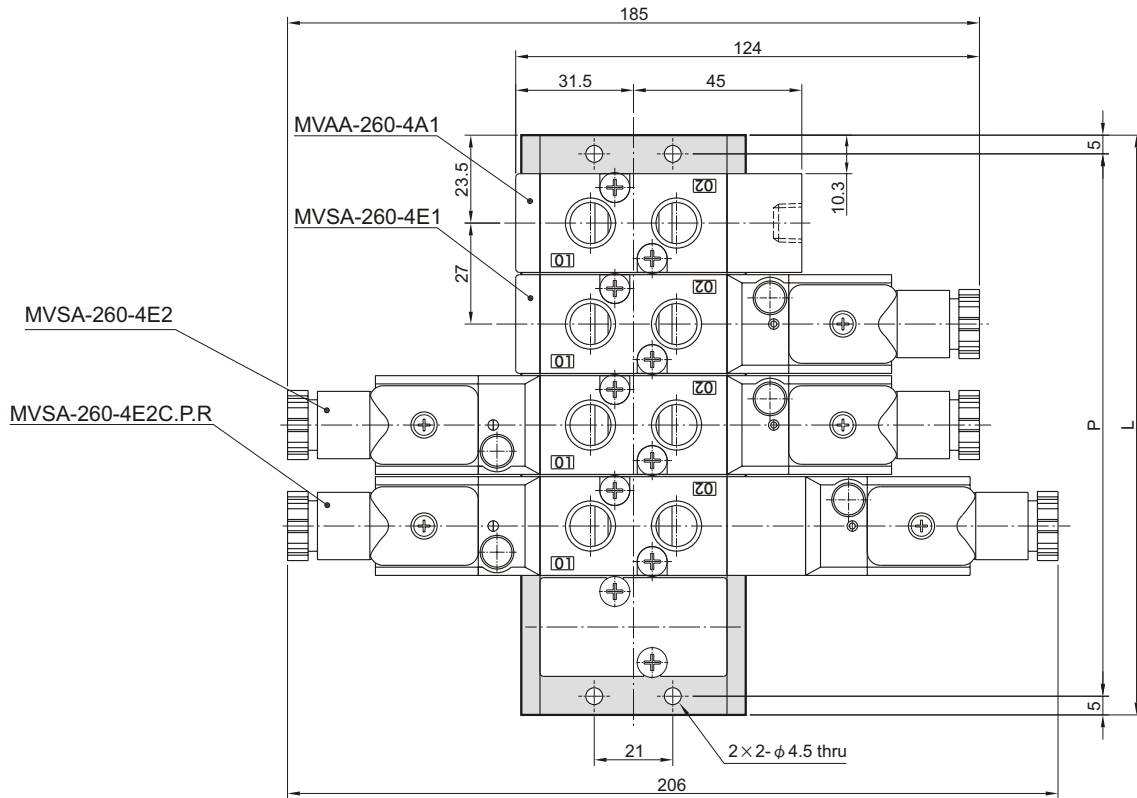
# MVSA-260

SOLENOID VALVE



## Manifold of solenoid valve:

### MVSA-260-5B\*



No. of stations	P	L
2	64	74
3	91	101
4	118	128
5	145	155
6	172	182
7	199	209
8	226	236
9	253	263
10	280	290